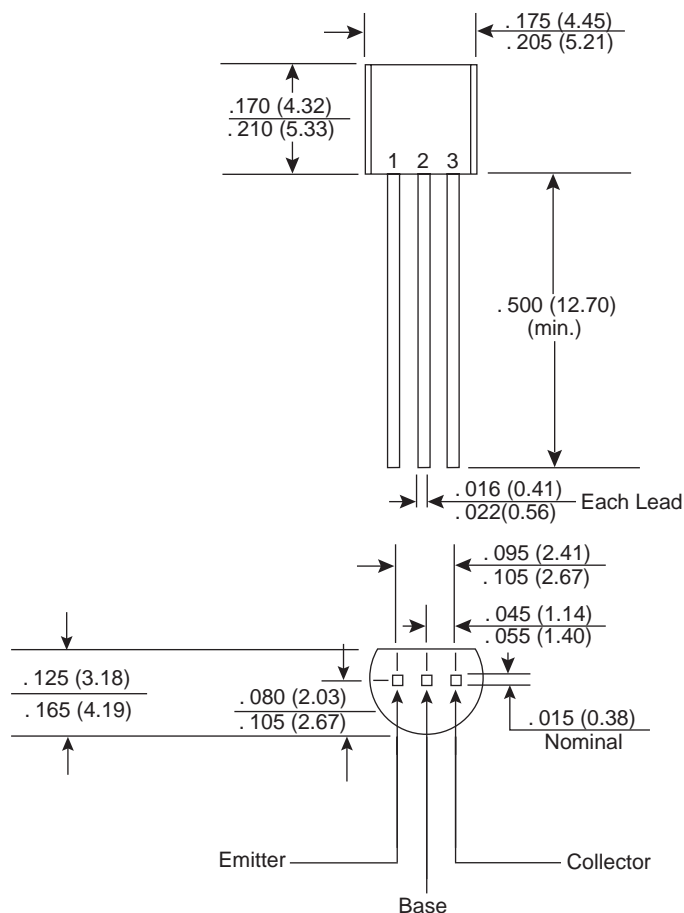


CG SUPV	CG MGR	MGMT Approvals (INIT/DATE)				
						MCI
Approved		/	/	/	/	/
Correct As Noted		/	/	/	/	/
Page Proofed		/	/	/	/	/



Dimensions In. (mm)

Specifications:

- Type: PNP High Voltage
- V_{CBO} : 200V
- V_{CEO} : 200V
- $I_{C(DC)}$: 500mA
- P_c : 625mW @ $T_A=25^\circ\text{C}$
- I_{CBO} : 0.25 μA (max.) @ $V_{CB} = 160\text{V}$
- h_{FE} : 30 (min.), 150 (max.) @ $V_{CE} 10\text{V}$, $I_C=30\text{mA}$
- $V_{CE(SAT)}$: 0.4V (max.) @ $I_C=20\text{mA}$, $I_B=2.0\text{mA}$
- $V_{BE(SAT)}$: 0.9V (max.) @ $I_C=20\text{mA}$, $I_B=2.0\text{mA}$
- ft: 50MHz @ $V_{CE} =20\text{V}$, $I_C=10\text{mA}$
- C_{ob} : 8.0pF (max.)